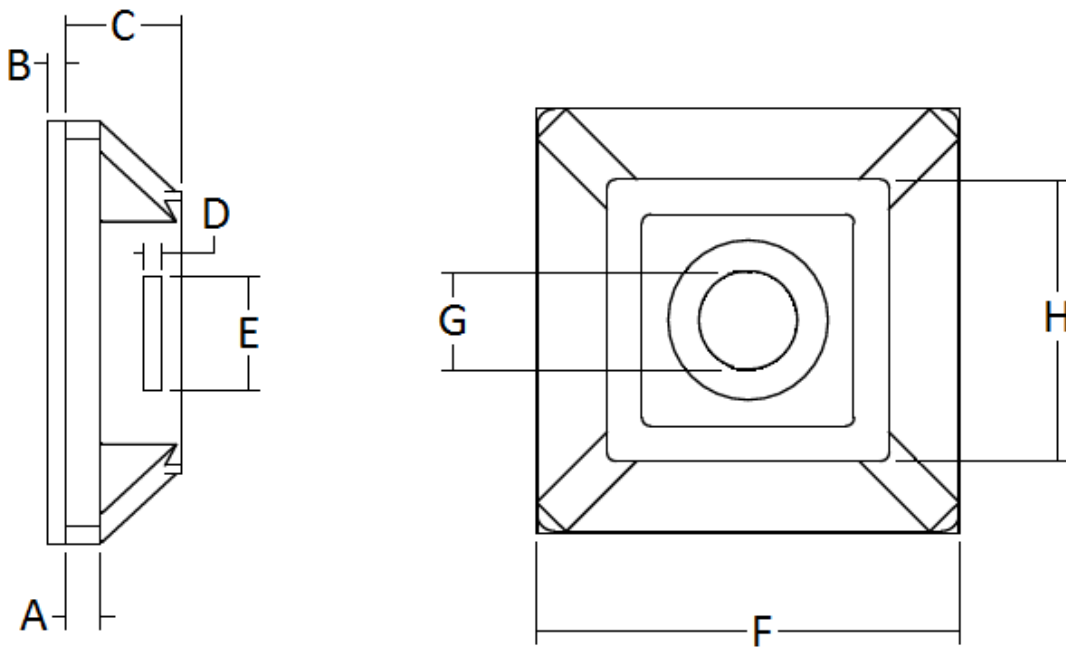




Mounting Pad, Cable Tie, Adhesive & 1 Screw, Type 11, Nylon, Black, Listed, Manufactured in the USA

This product standard contains the required dimensional, mechanical, performance, and chemical characteristics of the products shown in this purchase order (as applicable to the product). Unless specified below, current revisions of national or international standards shall be applicable as of the date of Fastenal's purchase order and must be adhered to in their entirety. If the order received does not meet these requirements, corrective action may be issued which could jeopardize your status as an approved supplier to Fastenal.



Part Number	A	B	C	D	F	G	H	E	Screw Size
	Nominal							Min.	
0775593	0.06	0.03	0.19	0.06	0.74	0.16	0.46	0.21	#8
0775595	0.06	0.03	0.20	0.06	0.99	0.21	0.53	0.21	#10

All dimensions are given in inches.

RECORD OF REVISION CHANGES TO THIS DOCUMENT ARE LOCATED ON THE LAST PAGE



Specification Requirements:

- Dimensions: See Table Above
- Material: Nylon 6/6, UL94 V-2. In compliance with current RoHS European Union Directive. UV Resistant
- Maximum Operating Temperature: 158° F (70° C)
- Application Temperature: 32° F ~ 158° F (0° C ~ 70° C)
- Color: UV Black
- Approvals and Listings: E489018



- Manufacturer: Manufactured in the USA

Revision Level Changes to this Document

Document Name	Revision Level	Revision Date	Rationale for Revision
USA.MP.CT.A1.11.NYL.BLK.POW	00	12/7/2017	Revised title and Ecode. Moved UL94 V-2 to performance.
USA.MP.CT.A1.11.NYL.BLK.L.POW	00	2/21/2020	Revised title.

The rationale above may not include all of the changes within each revision. A complete review of the Fastenal Product Standard is required.