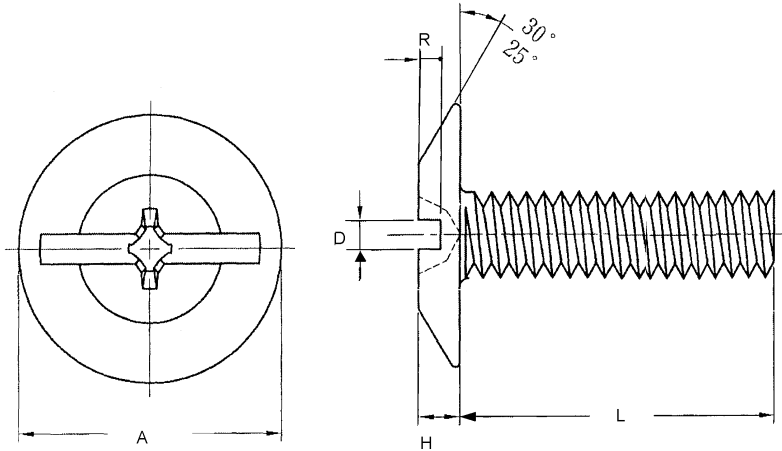


# Fastenal Product Standard: FNL.SWB.PHSL.SS

## Sidewalk Bolt, Stainless Steel

The information below lists the required dimensional, chemical and physical characteristics of the fasteners in this purchase order. If the order received does not meet these requirements, it may result in a supplier corrective action request, which could jeopardize your status as an approved vendor. Unless otherwise specified, all referenced consensus standards must be adhered to in their entirety.



Size	D		H		R		A		Length
	Max.	Min.	Max.	Min.	Max.	Min.	Max.	Min.	
1/4-20	0.0850	0.0752	0.1260	0.1181	0.0630	0.0567	0.7579	0.7382	+/-0.030"

### Specification Requirements:

- Dimensions: See dimensions above
- Drive Style: #3 Cross Recessed/Slotted Combo
- Material: 304 Stainless Steel
- Thread Requirements: ANSI B1.1 UNC & UNF Class 2A.
- Tensile: 75,000 PSI minimum
- Finish: Cleaned or descaled per ASTM A380