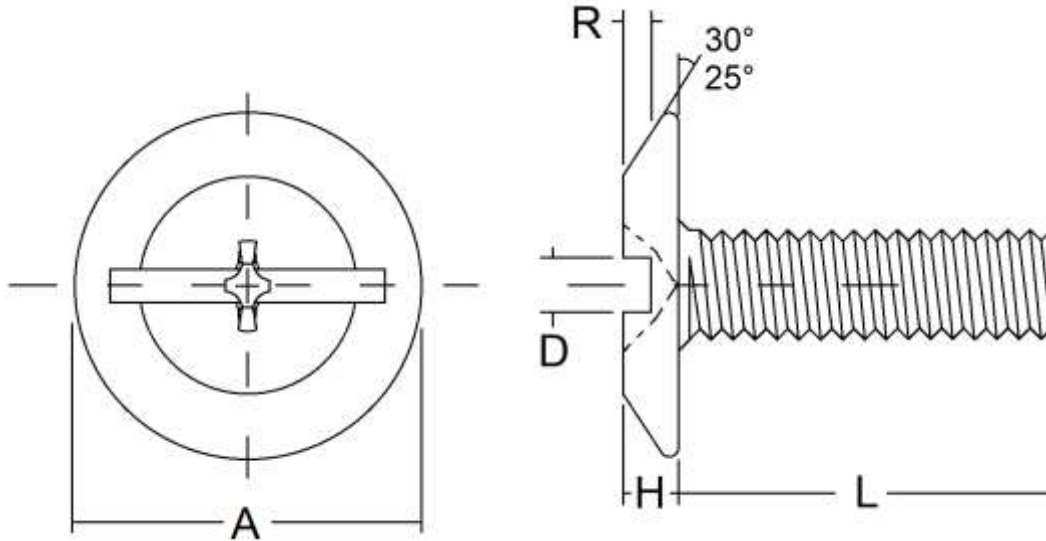


Page 1 of 2	Fastenal Product Standard	REV-00
Date: August 6, 2020	FASTENAL	SWB.PHSL.SS

Sidewalk Bolt, Stainless Steel

This product standard contains the required dimensional, mechanical, performance, and chemical characteristics of the products shown in this purchase order (as applicable to the product). Unless specified below, current revisions of national or international standards shall be applicable as of the date of Fastenal's purchase order and must be adhered to in their entirety. If the order received does not meet these requirements, corrective action may be issued which could jeopardize your status as an approved supplier to Fastenal.



Size	D		H		R		A		Length
	Max.	Min.	Max.	Min.	Max.	Min.	Max.	Min.	
1/4-20	0.0850	0.0752	0.1260	0.1181	0.0630	0.0567	0.7579	0.7382	±0.030"

Specification Requirements:

- Dimensions: See Table Above
- Drive Style: #3 Cross Recessed/Slotted Combo
- Material: 304 Stainless Steel
- Tensile: 75,000 PSI minimum
- Thread Requirements: ASME B1.1, UNC & UNF, Class 2A
- Finish: ASTM A380/A380M

RECORD OF REVISION CHANGES TO THIS DOCUMENT ARE LOCATED ON THE LAST PAGE

Page 2 of 2	Fastenal Product Standard	REV-00
Date: August 6, 2020	<i>FASTENAL</i>	SWB.PHSL.SS

Revision Level Changes to this Document

Document Name	Revision Level	Revision Date	Rationale for Revision
SWB.PHSL.SS	00	8/6/2020	Updated format, ANSI to ASME B1.1 and added 'A380M' to finish requirement.

The rationale above may not include all of the changes within each revision. A complete review of the Fastenal Product Standard is required.