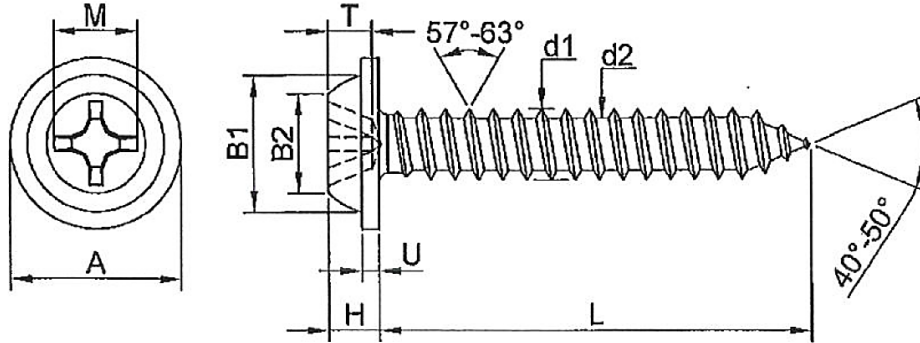


Sheet Metal Screw, Automotive, Flat Top Washer Head, Type AB, Black Phosphate

This product standard contains the required dimensional, mechanical, performance, and chemical characteristics of the products shown in this purchase order (as applicable to the product). Unless specified below, current revisions of national or international standards shall be applicable as of the date of Fastenal's purchase order and must be adhered to in their entirety. If the order received does not meet these requirements, corrective action may be issued which could jeopardize your status as an approved supplier to Fastenal.



Nominal Size	A		H		B1	B2	M		T		U	
	Washer Diameter		Head Height		Lower Head Diameter	Upper Head Diameter	Recess Diameter		Recess Penetration Gaging Depth		Washer Thickness	
	Max.	Min.	Max.	Min.	Ref.	Ref.	Ref.	Drive	Max.	Min.	Max.	Min.
#8-18	0.498	0.473	0.122	0.110	0.300	0.228	0.192	#2	0.113	0.089	0.045	0.035

Nominal Size	d1		d2	
	Major Diameter		Minor Diameter	
	Max.	Min.	Max.	Min.
#8-18	0.166	0.159	0.122	0.116

Nominal Length, L	Tolerance
L < 1" (incl.)	+/-0.03
L > 1"	+/-0.05

Specification Requirements:

- Dimensions: See Table Above
- Drive Style: Cross Recessed, Type 1
- Material & Mechanical Requirements: C1022 Steel
Surface hardness: min. 45HRC
Core hardness: 28 – 38HRC
Case Depth: 0.004" – 0.009"
- Performance Requirements: Torsional Strength: #8, > 39lb-in
- Thread Requirements: Rolled Thread, Type AB per ASME B18.6.3
- Finish: Black Phosphate: 72 hours Salt Spray Test

RECORD OF REVISION CHANGES TO THIS DOCUMENT ARE LOCATED ON THE LAST PAGE

Page 2 of 2	Fastenal Product Standard	REV-00
Date: August 5, 2019	<i>FASTENAL</i>	SMS.AM.FTWPH.AB.BPHS

Revision Level Changes to this Document

Document Name	Revision Level	Revision Date	Rationale for Revision
SMS.AM.FTWPH.AB.BPHS	00	8/5/2019	Original document.

The rationale above may not include all of the changes within each revision. A complete review of the Fastenal Product Standard is required.