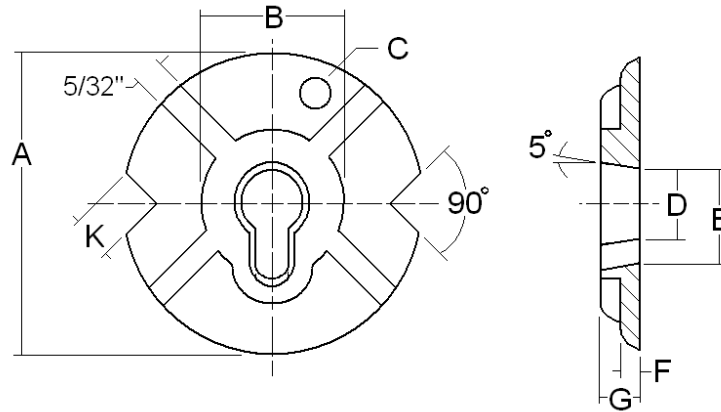


### Round Malleable Washer, Plain

This product standard contains the required dimensional, mechanical, performance, and chemical characteristics of the products shown in this purchase order (as applicable to the product). Unless specified below, current revisions of national or international standards shall be applicable as of the date of Fastenal's purchase order and must be adhered to in their entirety. If the order received does not meet these requirements, corrective action may be issued which could jeopardize your status as an approved supplier to Fastenal.



Size	A		B		C		D		E	
	Outer Diameter		Shoulder Diameter		Hole Diameter		Internal Diameter		Slot Length	
	Min.	Max.	Min.	Max.	Min.	Max.	Min.	Max.	Min.	Max.
3/8	2.45	2.70	1.20	1.35	.21	.33	.437	.537	.75	.85
1/2	2.45	2.70	1.20	1.35	.21	.33	.562	.662	.85	.95
5/8	2.60	2.85	1.30	1.45	.23	.33	.689	.789	1.05	1.20
3/4	2.90	3.15	1.45	1.60	.23	.33	.813	.913	1.30	1.45
7/8	3.45	3.70	1.70	1.85	.23	.33	.937	1.037	1.45	1.60
1	3.70	4.10	1.70	1.85	.23	.33	1.125	1.225	1.65	1.80
1-1/8	4.40	4.85	2.40	2.60	.23	.33	1.190	1.290	1.80	1.95
1-1/4	4.90	5.40	2.70	2.90	.23	.33	1.312	1.412	1.95	2.10

Size	F		G		K		5/32	
	Flange Thickness		Washer Thickness		Notch Width			
	Min.	Max.	Min.	Max.	Min.	Max.	Min.	Max.
3/8	.094	.194	.23	.28	.28	.35	.16	.21
1/2	.094	.194	.23	.28	.30	.38	.16	.21
5/8	.125	.225	.31	.37	.24	.32	.16	.25
3/4	.125	.225	.40	.46	.28	.35	.16	.25
7/8	.141	.241	.48	.55	.36	.43	.16	.25
1	.159	.259	.50	.58	.36	.43	.16	.25
1-1/8	.159	.259	.50	.58	.36	.43	.16	.25
1-1/4	.159	.259	.66	.75	.38	.48	.16	.25

**RECORD OF REVISION CHANGES TO THIS DOCUMENT ARE LOCATED ON THE LAST PAGE**

Page 2 of 2	<b>Fastenal Product Standard</b>	REV-06
Date: 27 May 2020	<b><i>FASTENAL</i></b>	RW.MALL.P

**Specification Requirements:**

- Dimensions: See Table Above
- Material & Mechanical Properties: Malleable Iron per ASTM A47/A47M  
Tensile Strength: 50,000 psi  
Yield Strength: 32,500 psi  
Elongation: 10%
- Marking: "MALL"  
"30"  
Size  
Style
- Finish: Light Protective Oil

**Revision Level Changes to this Document**

Document Name	Revision Level	Revision Date	Rationale for Revision
RW.MALL.P	04	7/11/2018	Removed manufacturer's ID marking requirement.
RW.MALL.P	05	8/22/2018	Revised tolerance on 5/32 for sizes 5/8" to 1-1/4".
RW.MALL.P	06	5/27/2020	Added A47M to material specification, replaced plain with light protective oil.

The rationale above may not include all of the changes within each revision. A complete review of the Fastenal Product Standard is required.