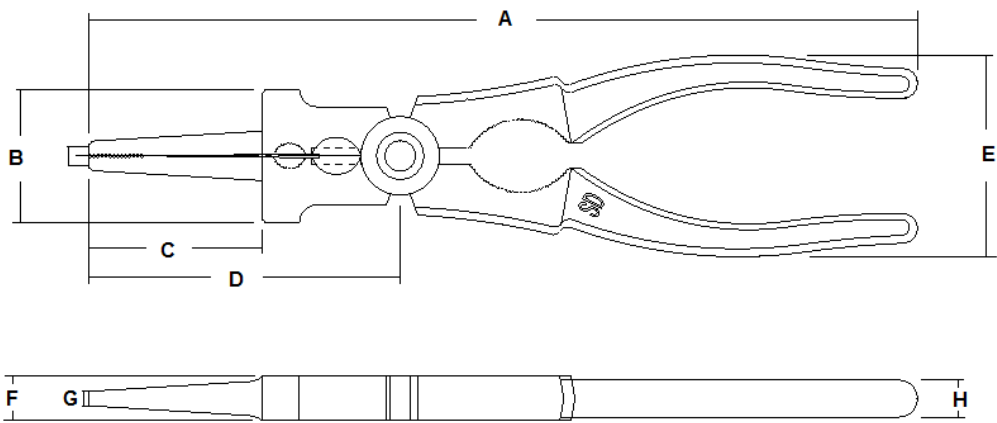




Pliers, MIG Welding, Multi-Purpose, Spring Action

The information below lists the required dimensional, chemical and physical characteristics of the products in this purchase order. If the order received does not meet these requirements, it may result in a supplier corrective action request, which could jeopardize your status as an approved vendor. Unless otherwise specified, all referenced consensus standards must be adhered to in their entirety.



Part Number	A	B	C	D	E	F	G	H
	Total Length	Joint Width	Beak Length	Joint Length	Width	Joint Thickness	Nose Thickness	Handle Thickness
	±0.079"	±0.039"	±0.047"	±0.047"	±0.079"	±0.016"	±0.020"	±0.012"
0815421	8.268"	1.319"	1.732"	3.110"	2.008"	0.441"	0.142"	0.370"

Specification Requirements:

- Dimensions: See Table Above
- Style: Multi-Purpose
- Handle Type: Spring Action
- Material: Carbon Steel
- Hardness: Cutting Edge: 54-62 HRC Body:42-46 HRC Tip:25 HRC
- Finish: Black Oxide