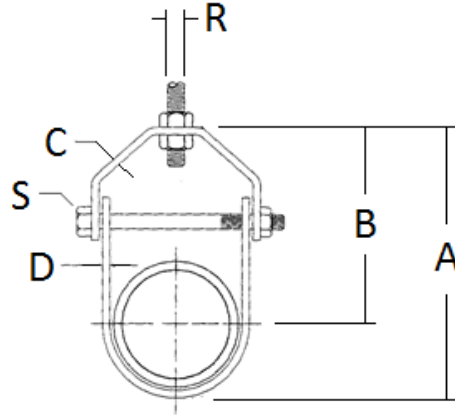


Pipe Hanger, Clevis, Standard Duty, Zinc

This product standard contains the required dimensional, mechanical, performance, and chemical characteristics of the products shown in this purchase order (as applicable to the product). Unless specified below, current revisions of national or international standards shall be applicable as of the date of Fastenal's purchase order and must be adhered to in their entirety. If the order received does not meet these requirements, corrective action may be issued which could jeopardize your status as an approved supplier to Fastenal.



| Part Number | Pipe Size (Nom) | A | B | C | D | S | R | Design Load (lbs) |
|-------------|-----------------|---------------|---------------------------|--------------|--------------|--------------|--------------------|-------------------|
| | | Clevis Length | Pipe Center to Clevis Top | Clevis Size | Saddle Size | Rod (w/ nut) | Threaded Rod Size* | |
| | | Ref. | Nominal | | | | | |
| 46777 | 1/2 | 2.120 | 1.630 | 0.120 x 1.00 | 0.100 x 1.00 | 1/4-20 | 3/8-16 | 600 |
| 46778 | 3/4 | 2.430 | 1.750 | | | 1/4-20 | 3/8-16 | 600 |
| 46779 | 1 | 2.810 | 2.060 | | | 1/4-20 | 3/8-16 | 600 |
| 46780 | 1-1/4 | 3.430 | 2.360 | | | 1/4-20 | 3/8-16 | 600 |
| 46781 | 1-1/2 | 4.000 | 2.940 | | | 1/4-20 | 3/8-16 | 600 |
| 46782 | 2 | 4.500 | 3.250 | | | 1/4-20 | 3/8-16 | 600 |
| 46783 | 2-1/2 | 5.560 | 3.740 | 0.200 x 1.25 | 0.120 x 1.25 | 3/8-16 | 1/2-13 | 1100 |
| 46784 | 3 | 6.750 | 4.120 | | | 3/8-16 | 1/2-13 | 1100 |
| 46785 | 4 | 7.810 | 5.370 | 0.240 x 1.25 | 0.200 x 1.25 | 3/8-16 | 5/8-11 | 1400 |
| 46786 | 5 | 9.030 | 6.810 | | | 1/2-13 | 5/8-11 | 1400 |
| 46787 | 6 | 10.430 | 8.250 | 0.240 x 1.60 | 0.200 x 1.60 | 1/2-13 | 5/8-11 | 2000 |
| 46788 | 8 | 12.750 | 9.500 | 0.240 x 1.75 | 0.200 x 1.75 | 5/8-11 | 3/4-10 | 2000 |
| 46789 | 10 | 15.250 | 10.780 | 0.400 x 1.75 | 0.240 x 1.75 | 5/8-11 | 7/8-9 | 3600 |
| 46790 | 12 | 17.620 | 12.000 | | | 5/8-11 | 7/8-9 | 3800 |
| 46791 | 14 | 22.000 | 14.780 | 0.472 x 1.97 | 0.236 x 1.96 | 7/8-9 | 1-8 | 4200 |
| 46792 | 16 | 24.130 | 15.900 | 0.472 x 2.57 | 0.236 x 2.56 | 7/8-9 | 1-8 | 4600 |
| 46793 | 18 | 26.700 | 17.450 | | | 7/8-9 | 1-8 | 4800 |
| 46794 | 20 | 28.260 | 17.900 | | | 0.630 x 3.00 | 0.393 x 2.95 | 7/8-9 |

*Not included with hanger
Measurement in inches

RECORD OF REVISION CHANGES TO THIS DOCUMENT ARE LOCATED ON THE LAST PAGE

| | | |
|-------------------|----------------------------------|-----------|
| Page 2 of 2 | Fastenal Product Standard | REV-06 |
| Date: May 8, 2020 | <i>FASTENAL</i> | PH.C.SD.Z |

Specification Requirements:

- **Dimensions:** Complies with Federal Specification WW-H-171 & A-A-1192 (Type 1) and Manufacturers Standardization Society (MSS) SP-69 & SP-58 (type 1)
Pipe OD per ASTM A53/A53M
- **Material:** Carbon Steel
- **Finish:** ASTM B633, SC1 Type III

Revision Level Changes to this Document

| Document Name | Revision Level | Revision Date | Rationale for Revision |
|---------------|----------------|---------------|--|
| PH.C.SD.Z | 06 | 5/8/2020 | Revised the dimensional table and dimension specification requirement. |

The rationale above may not include all of the changes within each revision. A complete review of the Fastenal Product Standard is required.