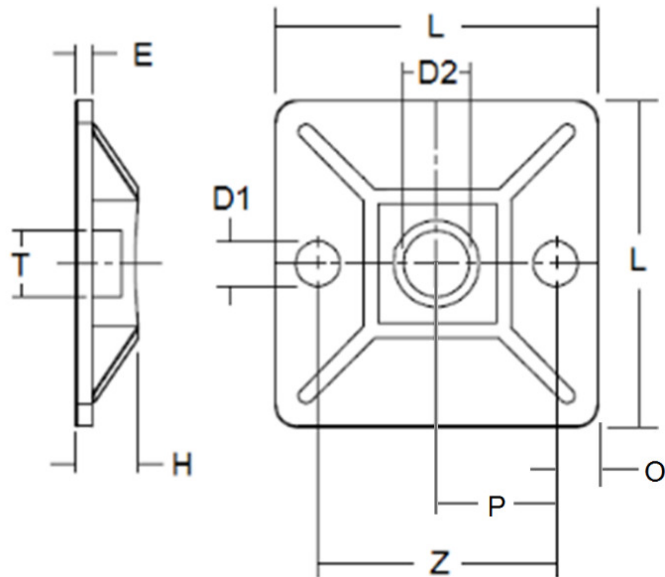




Mounting Pad, Cable Tie, Adhesive, 3 Screws, Nylon, Listed

This product standard contains the required dimensional, mechanical, performance, and chemical characteristics of the products shown in this purchase order (as applicable to the product). Unless specified below, current revisions of national or international standards shall be applicable as of the date of Fastenal's purchase order and must be adhered to in their entirety. If the order received does not meet these requirements, corrective action may be issued which could jeopardize your status as an approved supplier to Fastenal.



Part Number	L	H	E	T	D1	Z	P	O	Color
	Length	Height	Thickness	Slot Width	Screw Hole Diameter	Center to Center	Central Hole Position	Side Hole Position	
	Nominal								
63479	1.1	0.2	0.04	0.2	0.2	0.8	0.6	0.15	Natural
63482									Black

All dimensions are given in inches.

RECORD OF REVISION CHANGES TO THIS DOCUMENT ARE LOCATED ON THE LAST PAGE



Specification Requirements:

- Dimensions: See Table Above
- Material: Nylon 6/6 in compliance with current RoHS European Union Directive.
- Mounting Type: Adhesive & 3 Screws (flathead screw not included)
- Mechanical: Per UL 62275
- Performance: UL94 V-2
- Type: 21
- Approvals and Listings: UL E489018
- Marking: PowerPhase®
Country of Origin per 19 USC 1304
Lot Number
Package markings will comply with all marking requirements per UL 62275 as of the purchase date.

Revision Level Changes to this Document

Document Name	Revision Level	Revision Date	Rationale for Revision
MP.CT.AD.3S.NYL.L.POW	00	8/8/2018	Revised title, image and specification requirements.

The rationale above may not include all of the changes within each revision. A complete review of the Fastenal Product Standard is required.