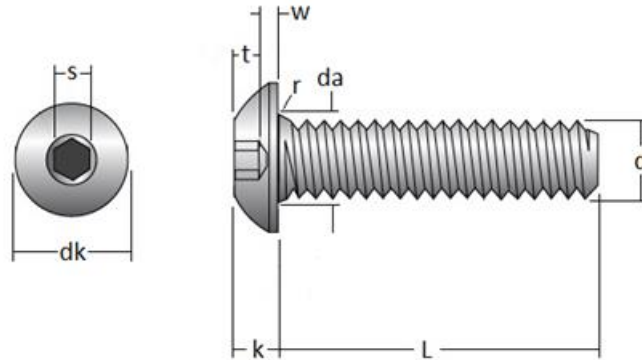


## Metric, Button Head Socket Cap Screw, ISO 7380-1, Fully Threaded, A2-70 Stainless Steel

This product standard contains the required dimensional, mechanical, performance, and chemical characteristics of the products shown in this purchase order (as applicable to the product). Unless specified below, current revisions of national or international standards shall be applicable as of the date of Fastenal's purchase order and must be adhered to in their entirety. If the order received does not meet these requirements, corrective action may be issued which could jeopardize your status as an approved supplier to Fastenal.



d	da	dk		k		r	s		t	w
	Max.	Min.	Max.	Min.	Max.	Min.	Min.	Max.	Min.	Min.
M2	-	3.50	3.80	0.88	1.10	-	1.275	1.300	0.70	-
M2.5	-	4.45	4.75	1.15	1.37	-	1.520	1.580	0.80	-
M3	3.6	5.40	5.70	1.40	1.65	0.30	2.020	2.080	1.04	0.20
M4	4.7	7.24	7.60	1.95	2.20	0.40	2.520	2.580	1.30	0.30
M5	5.7	9.14	9.50	2.50	2.75	0.45	3.020	3.080	1.56	0.38
M6	6.8	10.07	10.50	3.00	3.30	0.50	4.020	4.095	2.08	0.74
M8	9.2	13.57	14.00	4.10	4.40	0.70	5.020	5.140	2.60	1.05
M10	11.2	17.07	17.50	5.20	5.50	0.70	6.020	6.140	3.12	1.45
M12	13.7	20.48	21.00	6.24	6.60	1.10	8.025	8.175	4.16	1.63

### Specification Requirements:

- Dimensions: ISO 7380-1, \*Exception: Fully threaded and for sizes M2 and M2.5 see table above
- Threads: 6g per ISO 724; ISO 965-1
- Material & Mechanical Properties: A2-70 Stainless Steel per ISO 3506-1 (per marking below)
- Surface Discontinuities: ISO 6157-1 with forging cracks per ISO 6157-3
- Marking: A2-070 and Manufacturer's ID for M6 and larger
- Finish: ASTM A380/A380M
- Material Test Reports: The MTR must have documented lot traceability, dimensional results, full chemical test results and full mechanical test results to the specification(s) above. In addition, the MTR shall be in full compliance with Fastenal's MTR Requirements.

**RECORD OF REVISION CHANGES TO THIS DOCUMENT ARE LOCATED ON THE LAST PAGE**

Page 2 of 2	<b>Fastenal Product Standard</b>	REV-00
Date: December 11, 2019	<b><i>FASTENAL</i></b>	M.BHSCS.73801.FT.A2-70

Revision Level Changes to this Document

Document Name	Revision Level	Revision Date	Rationale for Revision
M.BHSCS.73801.A2	00	1/15/2019	Revised title and added sizes.
M.BHSCS.73801.A2	01	3/11/2019	Revised marking specification.
M.BHSCS.73801.A2-70	00	5/2/2019	Revised title.
M.BHSCS.73801.FT.A2-70	00	12/11/2019	Revised thread requirement and title to reflect fully threaded .

The rationale above may not include all of the changes within each revision. A complete review of the Fastenal Product Standard is required.