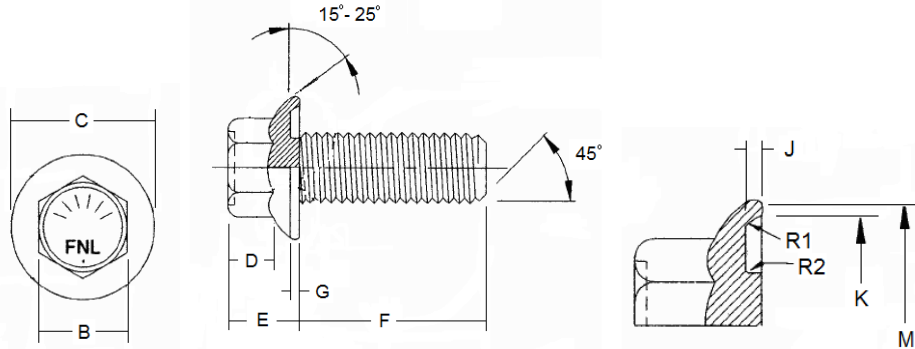
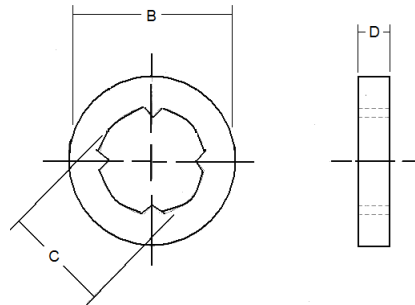


Hex Flange Bin Bolt, Assembly with PE Washer, 1000 Hour Corrosion Protection

This product standard contains the required dimensional, mechanical, performance, and chemical characteristics of the products shown in this purchase order (as applicable to the product). Unless specified below, current revisions of national or international standards shall be applicable as of the date of Fastenal's purchase order and must be adhered to in their entirety. If the order received does not meet these requirements, corrective action may be issued which could jeopardize your status as an approved supplier to Fastenal.



| Size | B | | C | | D | | E | | F | | G | | J | | K | | M |
|-----------------|------|------|------|------|------|------|------|------|------|------|------|------|------|------|------|------|---|
| | Max. | Min. | Max. | Min. | Max. | Min. | Max. | Min. | Max. | Min. | Max. | Min. | Max. | Min. | Max. | Min. | |
| 5/16-18 x 3/4 | .500 | .489 | .730 | .210 | .319 | .303 | .750 | .720 | .083 | .062 | .050 | .040 | .605 | .560 | .610 | | |
| 5/16-18 x 1 | .500 | .489 | .730 | .210 | .319 | .303 | 1.00 | .970 | .083 | .062 | .050 | .040 | .605 | .560 | .610 | | |
| 5/16-18 x 1-1/4 | .500 | .489 | .730 | .210 | .319 | .303 | 1.25 | 1.21 | .083 | .062 | .050 | .040 | .605 | .560 | .610 | | |
| 5/16-18 x 1-1/2 | .500 | .489 | .730 | .210 | .319 | .303 | 1.50 | 1.46 | .083 | .062 | .050 | .040 | .605 | .560 | .610 | | |
| 3/8-16 x 1 | .562 | .550 | .807 | .256 | .380 | .365 | 1.00 | .970 | .095 | .071 | .050 | .040 | .675 | .655 | .709 | | |
| 3/8-16 x 1-1/4 | .562 | .550 | .807 | .256 | .380 | .365 | 1.25 | 1.21 | .095 | .071 | .050 | .040 | .675 | .655 | .709 | | |
| 3/8-16 x 1-1/2 | .562 | .550 | .807 | .256 | .380 | .365 | 1.50 | 1.46 | .095 | .071 | .050 | .040 | .675 | .655 | .709 | | |
| 7/16-14 x 1 | .625 | .612 | .950 | .300 | .440 | .410 | 1.00 | .970 | .099 | .075 | .050 | .040 | .805 | .768 | .866 | | |
| 7/16-14 x 1-1/2 | .625 | .612 | .950 | .300 | .440 | .410 | 1.50 | 1.44 | .099 | .075 | .050 | .040 | .805 | .768 | .866 | | |
| 7/16-14 x 2 | .625 | .612 | .950 | .300 | .440 | .410 | 2.00 | 1.94 | .099 | .075 | .050 | .040 | .805 | .768 | .866 | | |



| Size | B | | C | | D | |
|------|------|------|------------|------|------|------|
| | Max. | Min. | Max. | Min. | Max. | Min. |
| 5/16 | .567 | .551 | Ref. 0.350 | | .115 | .090 |
| 3/8 | .646 | .630 | .420 | .400 | .120 | .105 |
| 7/16 | .736 | .720 | .510 | .490 | .130 | .120 |

RECORD OF REVISION CHANGES TO THIS DOCUMENT ARE LOCATED ON THE LAST PAGE

| | | |
|----------------------|----------------------------------|-----------------|
| Page 2 of 2 | Fastenal Product Standard | REV-01 |
| Date: March 18, 2019 | FASTENAL | HFBB.ASMBL.1000 |

Specification Requirements:

- **Dimensions:** See Table Above
- **Material:** Per SAE J429 Grade 8.2
- **Mechanical Properties:** Core Hardness: HRC 33 to 39
Surface Hardness: HR 30N 58.6 Max.
Tensile Strength: 150,000 PSI Min.
Proof Load: 120,000 PSI
- **Washer Material:** LDPE
- **Washer Hardness:** Shore Hardness D 44-55
- **Thread Requirements:** ASME B1.1, UNC, Class 2A
- **Bolt Marking:** According to SAE J429, Grade 8.2 and FNL
- **Finish:** Minimum corrosion resistance of 120 hours to white rust and 1000 hours to red rust in accordance with ASTM B117
- **Material Test Reports:** The MTR must have documented lot traceability, dimensional results, full chemical test results and full mechanical test results to the specification(s) above. In addition, the MTR shall be in full compliance with Fastenal's MTR Requirements.

Revision Level Changes to this Document

| Document Name | Revision Level | Revision Date | Rationale for Revision |
|-----------------|----------------|---------------|-------------------------------|
| HFBB.ASMBL.1000 | 00 | 7/17/2018 | Original document |
| HFBB.ASMBL.1000 | 01 | 3/18/2019 | Added white rust requirement. |

The rationale above may not include all of the changes within each revision. A complete review of the Fastenal Product Standard is required.