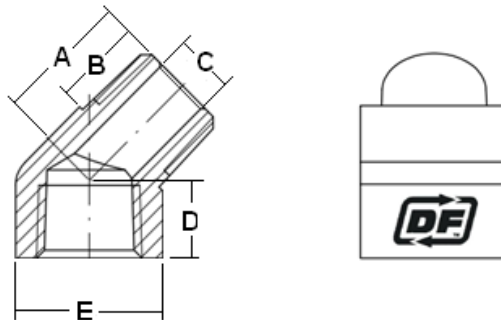




Fitting, Utility Grade, 45 Degree Street Elbow, Brass

The information below lists the required dimensional, chemical and physical characteristics of the products in this purchase order. If the order received does not meet these requirements, it may result in a supplier corrective action request, which could jeopardize your status as an approved vendor. Unless otherwise specified, all referenced consensus standards must be adhered to in their entirety.



Part Number	NPT	A	B	C	D	E	Working Pressure (psi)
		Center to End	Shoulder Length	Bore I.D.	Center to End	WAF	
		+/- 0.02"	+/- 0.008"	+0.012"/-0	+/- 0.02"		
69910	1/8-27	0.504	0.335	0.220	0.295	0.563	1200
69911	1/4-18	0.630	0.472	0.315	0.433	0.689	1200
69912	3/8-18	0.677	0.472	0.437	0.512	0.813	1200
69913	1/2-14	0.886	0.630	0.571	0.650	1.000	1200
69959	3/4-14	0.949	0.630	0.748	0.689	1.250	1200

Safety Factor 4:1

Specification Requirements:

- Standard for dimensions: See Dimensions Above
- Material: C36000 Brass, In compliance with European Union Directive 2002/95/EC (RoHS). In addition, minimum Copper content 57%, maximum alloying elements 5%, remainder zinc.
- Threads: NPT per ASME B1.20.1
- Marking: DF® (size permitting)
- Finish: Plain, as processed