

Mounted Units



Mounted Units:

Grease fitting - grease groove and grease holes located along outer ring of bearing allow relubrication.

Housing - one piece high tensile strength cast iron solid base housings on standard units.

Deep groove - races and large balls for higher load carrying capacity.

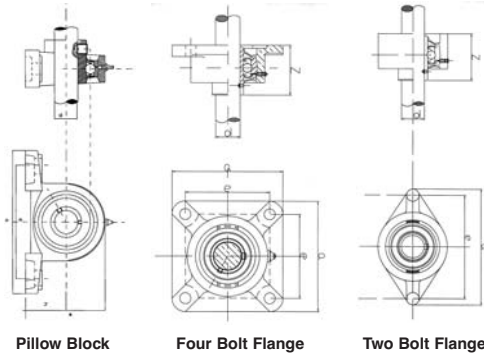
Xtra-Loc - set screws with special knurled ends for better shaft holding power.

Self-aligning surface - allows bearing to align on a displaced shaft without distorting seals.

Anti-Rotation Pin - to prevent insert from spinning within housing.

Code to Diagrams:

d=Shaft Size h=Shaft Height e=Bolt Hole Center a=Overall Length w=Overall Height (Pillow Block Only) Z=Overall Height (Four and Two Bolt Flange Only)



Pillow Block



Part No.	Vendor No.	Shaft Size	Shaft Height	Bolt Hole Center	Bolt Size	Overall Lgth.	Overall Ht.	Price /Each
Fractional Sizes								
0474548	204-12 UCP	3/4	1-5/16	3-3/4	3/8	5	2-17/32	\$12.15
0474554	205-16 UCP	1	1-7/16	4-1/8	3/8	5-1/2	2-25/32	12.84
0474560	206-18 UCP	1-1/8	1-11/16	4-3/4	1/2	6-1/2	3-5/16	14.75
0474561	206-19 UCP	1-3/16	1-11/16	4-3/4	1/2	6-1/2	3-5/16	14.75
0474562	206-20 UCP	1-1/4	1-11/16	4-3/4	1/2	6-1/2	3-5/16	15.44
0474572	207-20 UCP	1-1/4	1-7/8	5	1/2	6-37/64	3-21/32	20.79
0474573	207-22 UCP	1/3/8	1-7/8	5	1/2	6-37/64	3-21/32	20.79
0474574	207-23 UCP	1-7/16	1-7/8	5	1/2	6-37/64	3-21/32	20.79
0474584	208-24 UCP	1-1/2	1-15/16	5-13/32	1/2	7-1/4	3-27/32	24.26
0474590	209-26 UCP	1-5/8	2-1/8	5-3/4	1/2	7-15/32	4-3/16	28.25
0474591	209-27 UCP	1-11/16	2-1/8	5-3/4	1/2	7-15/32	4-3/16	29.47
0474592	209-28 UCP	1-3/4	2-1/8	5-3/4	1/2	7-15/32	4-3/16	28.25
0474602	210-30 UCP	1-7/8	2-1/4	6-1/4	5/8	8-1/8	4-7/16	33.47
0474603	210-31 UCP	1-15/16	2-1/4	6-1/4	5/8	8-1/8	4-7/16	34.86
0474611	211-32 UCP	2	2-1/2	6-23/32	5/8	8-5/8	4-59/64	41.86
0474612	211-35 UCP	2-3/16	2-1/2	6-23/32	5/8	8-5/8	4-59/64	39.92
Metric Sizes								
0474549	204-20mm UCP	20mm	33.3mm	95mm	10mm	127mm	64mm	11.65
0474555	205-25mm UCP	25mm	36.5mm	105mm	10mm	140mm	71mm	13.23
0474563	206-30mm UCP	30mm	42.9mm	121mm	14mm	165mm	84mm	14.75
0474575	207-35mm UCP	35mm	47.6mm	127mm	14mm	167mm	93mm	20.79
0474585	208-40mm UCP	40mm	49.2mm	137mm	14mm	184mm	98mm	24.26
0474593	209-45mm UCP	45mm	54.0mm	146mm	14mm	190mm	106mm	28.25
0474604	210-50mm UCP	50mm	57.2mm	159mm	16mm	206mm	113mm	33.47

Additional fractional and Metric sizes are available. Please ask your Fastenal Representative for details.



Four Bolt Flange

Part No.	Vendor No.	Shaft Size	Bolt Hole Center	Bolt Size	Overall Lgth.	Overall Ht.	Price /Each
Fractional Sizes							
0474550	204-12 UCF	3/4	2-33/64	3/8	3-3/8	1-5/16	12.15
0474564	205-16 UCF	1	2-3/4	3/8	3-3/4	1-13/32	12.84
0474564	206-18 UCF	1-1/8	3-17/64	3/8	4-1/4	1-19/32	14.75
0474565	206-19 UCF	1-3/16	3-17/64	3/8	4-1/4	1-19/32	14.75
0474566	206-20 UCF	1-1/4	3-17/64	3/8	4-1/4	1-19/32	15.44
0474576	207-20 UCF	1-1/4	3-5/8	7/16	4-19/32	1-3/4	19.36
0474577	207-22 UCF	1-3/8	3-5/8	7/16	4-19/32	1-3/4	20.23
0474578	207-23 UCF	1-7/16	3-5/8	7/16	4-19/32	1-3/4	20.23
0474586	208-24 UCF	1-1/2	4-1/64	1/2	5-1/8	2-1/32	23.59
0474594	209-26 UCF	1-5/8	4-9/64	1/2	5-13/32	2-1/16	28.25
0474595	209-27 UCF	1-11/16	4-9/64	1/2	5-13/32	2-1/16	29.47
0474596	209-28 UCF	1-3/4	4-9/64	1/2	5-13/32	2-1/16	28.25
0474605	210-30 UCF	1-7/8	4-3/8	1/2	5-5/8	2-5/32	33.47
0474606	210-31 UCF	1-15/16	4-3/8	1/2	5-5/8	2-5/32	34.86
0474614	211-32 UCF	2	5-1/8	5/8	6-3/8	2-5/16	41.86
0474615	211-35 UCF	2-3/16	5-1/8	5/8	6-3/8	2-5/16	39.97
Metric Sizes							
0474551	204-20mm UCF	20mm	64mm	10mm	86mm	33.3mm	11.65
0474557	205-25mm UCF	25mm	70mm	10mm	95mm	35.7mm	13.23
0474567	206-30mm UCF	30mm	83mm	10mm	108mm	40.2mm	14.75
0474579	207-35mm UCF	35mm	92mm	12mm	117mm	44.4mm	19.36
0474587	208-40mm UCF	40mm	102mm	14mm	130mm	51.2mm	22.57
0474597	209-45mm UCF	45mm	105mm	14mm	137mm	52.2mm	28.25
0474607	210-50mm UCF	50mm	111mm	14mm	143mm	54.6mm	33.47

Additional fractional and Metric sizes are available. Please ask your Fastenal Representative for details.

Two Bolt Flange



Part No.	Vendor No.	Shaft Size	Bolt Hole Center	Bolt Size	Overall Lgth.	Overall Ht.	Price /Each
Fractional Sizes							
0474552	204-12 UCFL	3/4	3-35/64	3/8	4-7/16	1-5/16	\$12.15
0474558	205-16 UCFL	1	3-57/64	1/2	5-1/8	1-13/32	12.84
0474568	206-18 UCFL	1-1/8	4-39/64	1/2	5-13/16	1-19/32	14.75
0474569	206-19 UCFL	1-3/16	4-39/64	1/2	5-13/16	1-19/32	14.75
0474570	206-20 UCFL	1-1/4	4-39/64	1/2	5-13/16	1-19/32	15.44
0474580	207-20 UCFL	1-1/4	5-1/8	1/2	6-11/32	1-3/4	20.79
0474581	207-22 UCFL	1-3/8	5-1/8	1/2	6-11/32	1-3/4	20.79
0474582	207-23 UCFL	1-7/16	5-1/8	1/2	6-11/32	1-3/4	20.79
0474588	208-24 UCFL	1-1/2	5-43/64	1/2	6-7/8	2-1/32	24.26
0474598	209-26 UCFL	1-5/8	5-53/64	5/8	7-13/32	2-1/16	28.25
0474599	209-27 UCFL	1-11/16	5-53/64	5/8	7-13/32	2-1/16	29.47
0474600	209-28 UCFL	1-3/4	5-53/64	5/8	7-13/32	2-1/16	28.25
0474609	210-31 UCFL	1-15/16	6-3/16	5/8	7-3/4	2-5/32	34.86
0474617	211-32 UCFL	2	7-1/4	5/8	8-13/16	2-5/16	41.86
Metric Sizes							
0474553	204-20mm UCFL	20mm	90mm	10mm	113mm	33.3mm	11.65
0474559	205-25mm UCFL	25mm	99mm	14mm	130mm	35.7mm	13.23
0474571	206-30mm UCFL	30mm	117mm	14mm	148mm	40.2mm	14.75
0474589	208-40mm UCFL	40mm	144mm	14mm	175mm	51.2mm	24.26

Additional fractional and Metric sizes are available. Please ask your Fastenal Representative for details.

Hydraulics, Pneumatics & Power Transmission
For a complete product listing, visit fastenal.com or contact your local store.

